

FAST HIGH VOLTAGE TRANSISTOR SWITCHES

HTS 61-06-C	6 kVDC, 64 A
HTS 121-03-C	12 kVDC, 32 A
HTS 181-02-C	18 kVDC, 24 A
HTS 241-01-C	24 kVDC, 15 A
HTS 361-01-C	36 kVDC, 12 A

MOSFET
TECHNOLOGY



© 2016
All rights reserved.

Note: The standard flange housing is designed for conventional wiring. Special versions for PCB assembly are available for voltages up to 12 kV.

COMPACT SERIES

VARIABLE ON-TIME

DESCRIPTION

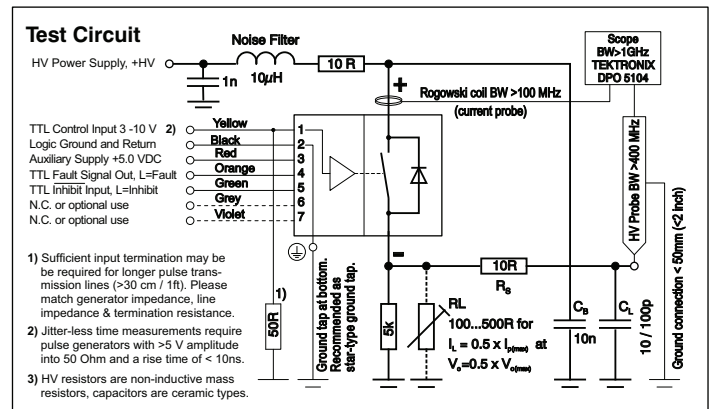
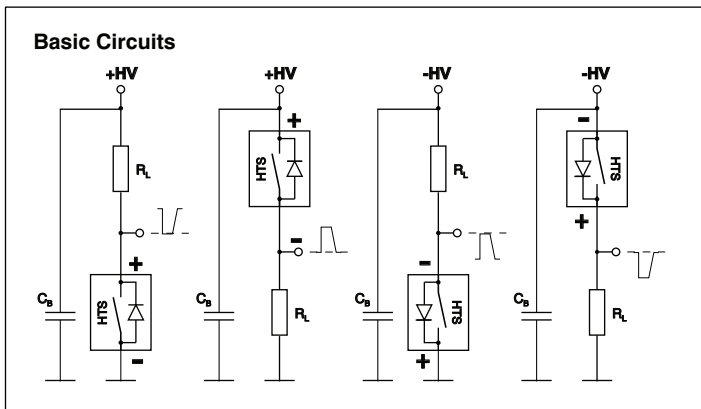
The high-voltage switches of the compact series "HTS-C" have a variable on-time and are comparable with classical solid-state relays; they are turned on as long as a control signal is applied to the control input. BEHLKE solid-state switches are actively controlled devices (no avalanche technique) and show highly reliable and reproducible switching behaviour regardless of temperature, voltage or load condition. Compared to conventional high voltage switching elements, such as gas discharge tubes and spark gaps, BEHLKE solid-state switches do not show aging effects and achieve life times by several orders of magnitude higher than any other classical high voltage switch.

The switches are very easy to handle and only require a simple +5 VDC auxiliary supply (4.5 to 5.5 VDC) and a TTL-compatible control signal. The control signal can be any positive going pulse of at least 25 ns duration and 2 to 10 volts amplitude. Due to the Schmitt-Trigger input characteristics and the very high signal amplification, neither the switching behavior nor the turn-on rise time will be influenced by the waveshape of the control pulse. The recovery time after a switching cycle is less than 200 ns, making burst frequencies of up to 5 MHz possible. Burst frequencies of even up to 10 MHz can be achieved by means of the option HFB. The maximum continuous switching frequency is primarily limited by the power capability of the internal driver and by the power dissipation of the high-voltage switch. Standard switches without optional cooling and without optional HFS supply can reach several 10 kHz, depending on operating voltage and load capacitance. Higher frequencies require an additional auxiliary supply for the internal driver, which is connected by means of the option HFS. The switch must also be sufficiently cooled if the frequency depending power dissipation exceeds the specified Pd(max) value. For the individual cooling requirements are various cooling features available, such as option CCS (ceramic cooling surface), CF (copper cooling fins), CF-CER (ceramic cooling fins), GCF (grounded cooling flange), ILC (indirect liquid cooling) or DLC (direct liquid cooling). In connection with option DLC the continuous switching frequency can be increased up to 3 MHz. Nevertheless, the switches of the compact series HTS-C are not primarily designed for high frequency operation and high average power dissipation. If these parameters are the main design concern, then the larger switching modules of the HTS standard series are recommended, which offer a significantly lower thermal resistance when combined with the cooling options mentioned above.

The switches are equipped with the new "intelligent" driving and control circuit VC4, which provides active input filtering, signal conditioning, auxiliary voltage monitoring, frequency limitation and temperature protection. The input filter allows an un-shielded input wiring of at least 25 cm (10") length. Undefined control signals, noise and transients are uncritical to the switch. The high-voltage MOSFET stack is always safely controlled regardless to the pulse width or waveshape of the control signal. The control circuit has 3 integrated temperature triggers. One thermotriiger with a response time of <60 seconds protects the high-voltage switch, two further sensors with <10 seconds response time are placed in the critical areas of the driver circuit. An inhibit input (pin 5, L=Inhibit) allows the connection of external thermotriggers, over current detectors and / or coolant flow detectors from liquid cooling systems. The operating conditions are indicated by three built-in LEDs. In case of a fault (auxiliary voltage < 4.5 VDC, frequency > f(max), case temperature > 75°C and / or Inhibit = Low), the red LED will indicate an error and the switch is inhibited for at least 2 seconds respectively for the duration of the fault condition. At the same time a TTL compatible fault signal occurs at pin 4 (Low = Fault). In case of over temperature the switch can be locked for several minutes, depending on the individual cooling conditions. A green LED indicates "Ready for Operation" and a yellow LED indicates the on-state of the switch as well as short control pulses with a pulse duration down to 30 ns. The design concept of these switching modules offers a large selection of cooling and housing options as well as a very high flexibility regarding the adaption to individual OEM requirements. Please refer to the separate options page for some examples of individual switch solutions.

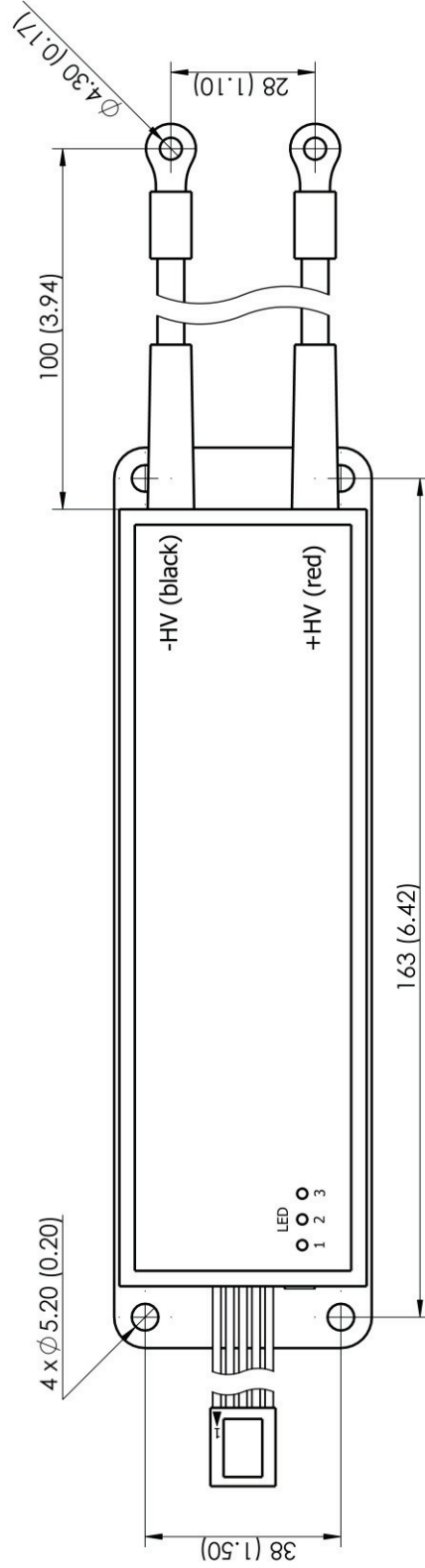
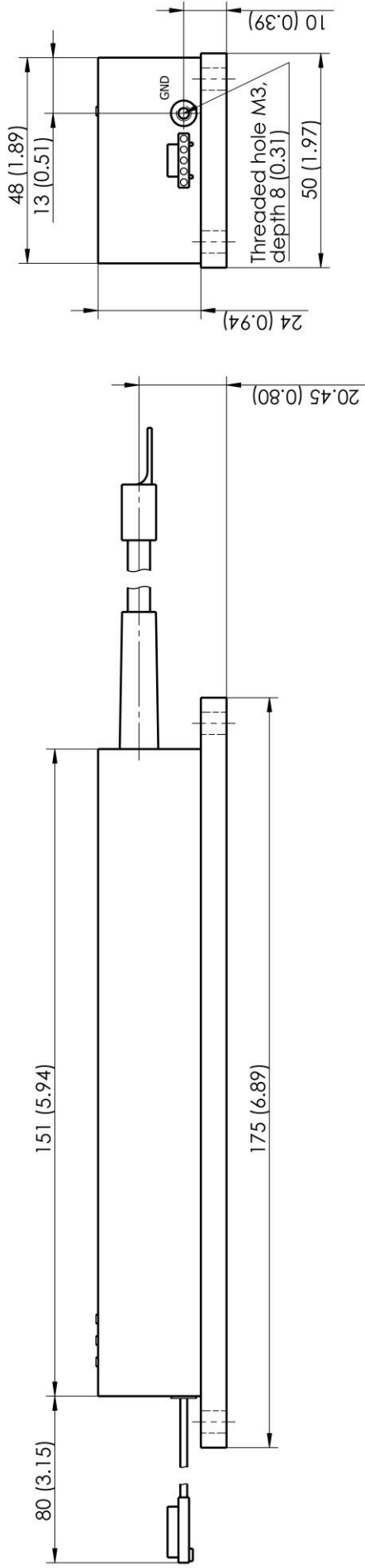
CIRCUIT DESIGN RECOMMENDATIONS

In order to achieve the minimum turn-on rise time and the best HV pulse shape, all leads and circuit paths should be of lowest possible inductance. This can be achieved by means of very wide and short circuit tracks on the printed circuit board, if necessary in several layers (multi layer PCB). Part components such as R_s , C_{sp} and C_e must be "inductance-free" and should only be connected with shortest possible wires / circuit tracks. Ground conducting tracks including the logic ground must be connected to a common ground point (star-type ground). Induction loop areas of dynamically current-carrying circuit paths should always be as small as possible. HV wiring and control circuitry should always be separated by a proper distance. For further design recommendations please refer to the general instructions.



Specification	Symbol	Condition / Comment	HTS	61-06-C	121-03-C	181-02-C	241-01-C	361-01-C	Unit	
ABSOLUTE MAXIMUM RATINGS	Maximum Operating Voltage	$V_{O(max)}$	$I_{off} < 50 \mu ADC$, $T_{case} = 70^\circ C$	± 6	± 12	± 18	± 24	± 36	kVDC	
	Maximum Isolation Voltage	V_I	Between HV switch and control / GND, continuously			± 40			kVDC	
	Max. Housing Insulation Voltage	V_{INS}	Between switch and housing surface, 3 minutes			± 40			kVDC	
	Maximum Turn-On Peak Current	$I_{P(max)}$	$T_{case} = 25^\circ C$ $t_p < 200 \mu s$, duty cycle $< 1\%$	64	32	24	15	12	ADC	
	Maximum Continuous Load Current	I_L	$T_{case} = 25^\circ C$ $T_{fin} = 25^\circ C$ $T_{flange} = 25^\circ C$ $T_{inlet} = 25^\circ C$	Standard devices, forced air 4 m/s	1.1	0.54	0.43	0.23	0.21	ADC
				Devices with option CF-LC, air 4 m/s	3.11	1.55	1.22	0.66	0.61	
				Devices with option GCF, on heat sink.	4.02	2	1.57	0.86	0.78	
				Devices with option ILC, water 0.1 l/min. Devices with option DLC-0.6	4.02	2	1.57	0.86	0.78	
	Max. Continuous Power Dissipation	$P_{d(max)}$	$T_{case} = 25^\circ C$ $T_{fin} = 25^\circ C$ $T_{flange} = 25^\circ C$ $T_{inlet} = 25^\circ C$	Standard devices, forced air 4 m/s			15			Watt
				Devices with option CF-LC, air 4 m/s			120			
Linear Derating		Above $25^\circ C$	Devices with option GCF on heat sink.			200			W/K	
			Devices with option ILC, water > 0.1 l/min			200				
			Devices with option DLC-0.6			600				
			Standard devices, forced air 4 m/s			0.333				
			Devices with option CF-LC, air 4 m/s			2.666				
Operating Temperature Range	T_O	Standard devices & options CF-LC, GCF, ILC (Opt. DLC)			-40...70 (60)				$^\circ C$	
Storage Temperature Range	T_S	Switches with option ILC may require frost protection!			-50...100				$^\circ C$	
Max. Permissible Magnetic Field	B	Homogeneous steady-field, surrounding the whole switch			25				mT	
ELECTRICAL CHARACTERISTICS	Operating Voltage Range	V_O	Positive or negative voltage (depending on connection)	0-6	0-12	0-18	0-24	0-36	kVDC	
	Typical Breakdown Voltage	V_{br}	NOTE: V_{br} is a test parameter for quality control purposes only. Not applicable in normal operation! $I_{off} > 0.5$ mA	6.3	12.6	18.9	25.2	37.8	kVDC	
	Typical Off-State Current	I_{off}	$25^\circ C$, @ $0.8 \times V_O$. Lower leakage current optionally available.			< 10			μADC	
	Typical Turn-On Resistance	R_{stat}	$T_{case} = 25^\circ C$, $T_{flange} = 25^\circ C$, $T_{fin} = 25^\circ C$, $T_{inlet} = 25^\circ C$.	$0.1 \times I_{P(max)}$	5.2	21	36	120	144	Ohm
				$1.0 \times I_{P(max)}$	12.4	50	81	271	324	
	Typical Propagation Delay Time	$t_{d(on)}$	Resistive load, $0.1 \times I_{P(max)}$, $0.8 \times V_{O(max)}$, 50-50%			120			ns	
	Typical Output Pulse Jitter	t_j	Impedance matched input, $V_{aux} / V_{ctrl} = 5.00$ VDC			< 500			ps	
	Typical Turn-On Rise Time	$t_{r(on)}$	10-90%	$R_L = 5k\Omega$, $0.2 \times V_{O(max)}$, $C_L = 10pF$	6	10	12	19	20	ns
				$R_L = 5k\Omega$, $0.8 \times V_{O(max)}$, $C_L = 10pF$	9	14	25	33	40	
				$R_L = 5k\Omega$, $0.8 \times V_{O(max)}$, $C_L = 100pF$ $V_O = 0.5 \times V_{O(max)}$, $I_L = 0.5 \times I_{P(max)}$	20	28	92	120	147	
	Typical Turn-Off Rise Time	$t_{r(off)}$	10-90%, resistive load @ $1.0 \times I_{P(max)}$			< 12			ns	
	Maximum Turn-On Time	$t_{on(max)}$	No limitation, true on-off switch with relay character			infinite			ns	
	Minimum Turn-On Time	$t_{on(min)}$	10-90%, resistive load @ $1.0 \times I_{P(max)}$			75			ns	
	Maximum Continuous Switching Frequency	$f_{(max)}$	@ $V_{aux} = 5.00$ V Sw. shutdown if $f_{(max)}$ is exceeded	Standard devices without HFS option	> 15	> 15	> 8	> 12	> 8	kHz
				Standard devices with HFS supply Opt. HFS + sufficient cooling option	50	50	50	50	50	
	Maximum Burst Frequency	$f_{b(max)}$				5				MHz
	Maximum Number of Pulses / Burst	$N_{(max)}$	$f_b = 1MHz$ (1 μs spacing). Switch shutdown if $N_{(max)}$ is exceeded.			150		Use option HFB for > 150 pulses		Pulses
	Coupling Capacitance	C_C	Switch against control side			14				pF
	Natural Capacitance	C_N	Between switch poles, @ $0.5 \times V_{O(max)}$	Standard devices & options CF, DLC			50 ... 100			pF
				Devices with options GCF, ILC						
Control Voltage Range	V_{ctrl}	The V_{ctrl} has no impact on the output pulse shape.			2 ... 6				VDC	
Auxiliary Supply Voltage Range	V_{aux}	The +5 V supply is not required in the HFS mode.			4.5 ... 5.5				VDC	
Typical Auxiliary Supply Current	I_{aux}	$V_{aux} = 5.00$ VDC, $T_{case} = 25^\circ C$. Active current limitation above 700 mA.	$0.01 \times f_{(max)}$			120			mADC	
			@ specified $f_{(max)}$			500				
Opt. HFS, Ext. Supply Voltage V1	$V_{HFS(V1)}$	Stability $\pm 3\%$, current consumption < 0.4 mA/kHz @ $25^\circ C$			15				VDC	
Opt. HFS, Ext. Supply Voltage V2	$V_{HFS(V2)}$	Stability $\pm 3\%$, current consumption < 0.9 mA/kHz @ $25^\circ C$			180				VDC	
Intrinsic Diode Forward Voltage	V_F	$T_{case} = 25^\circ C$, $I_F = 0.3 \times I_{P(max)}$			< 10				VDC	
Diode Reverse Recovery Time	t_{rrc}	$T_{case} = 25^\circ C$, $I_F = 0.3 \times I_{P(max)}$, $di/dt = 100$ A/ μs			< 700				ns	
HOUSING	Dimensions	Standard housing Devices with option CF-LC Devices with option GCF / FH Devices with option ILC & DLC-0.6			175 x 50 x 30 175 x 50 x 42 175 x 50 x 30 175 x 50 x 55				mm ³	
	Weight	Standard housing Devices with option CF-LC Devices with option GCF Devices with option ILC & DLC-0.6			250 295 640 430				g	
FUNCTIONS	Control Signal Input	Pin 1 / Yellow. TTL compatible with Schmitt-Trigger characteristics. Control voltage 2-10 V (3-5 V recommended for low jitter).								
	Logic GND / 5V Return	Pin 2 / Black. The ground pin is internally connected with the safety earthing terminal (threaded insert) on bottom side.								
	5V Auxiliary Supply	Pin 3 / Red. The 5 V input is used for rep rates up to the specified max. frequency $f_{(max)}$. Higher rep rates require option HFS.								
	Fault Signal Output	Pin 4 / Orange. TTL output, short circuit proof. Indicating switch & driver over-heat, over-frequency, low auxiliary voltage. L = Fault.								
	Inhibit Signal Input	Pin 5 / Green. TTL compatible, Schmitt-Trigger characteristics for the connection of external safety circuits. L = Switch Inhibited.								
	LED Indicators	GREEN: "Auxiliary power good, switch OFF". YELLOW: "Control signal received, switch ON". RED: "Fault condition, switch OFF"								
Temperature Protection	A) Standard switches and switches with option CF, GCF: Thermo trigger $75^\circ C$, response time < 60 s @ $3 \times P_{d(max)}$, $\Delta T = 25K$ (50 to $75^\circ C$). Separate driver protection. B) Switches with option DLC: $65^\circ C$, response time < 3 s @ $3 \times P_{d(max)}$, $\Delta T = 25K$ (40 to $65^\circ C$), coolant flow > 3 l / min. Separate driver protection.									
ORDERING	HTS 61-06-C	Fast HV Transistor Switch, 6 kV, 64 A	Option LP	Low Pass. Input filter for increased noise immunity.	Option CCS	Ceramic Cooling Surface. $P_{d(max)}$ can be increased by the factor 2 to 3.				
	HTS 121-03-C	Fast HV Transistor Switch, 12 kV, 32 A	Option S-TT	Soft Transition Time. Slower switching speed for simplified EMC.	Option CF-LC	Copper Cooling Fins. $P_{d(max)}$ can be increased by the factor 3 to 10.				
	HTS 181-02-C	Fast HV Transistor Switch, 18 kV, 24 A	Option HFS	High Frequency Switching (two auxiliary supply inputs V1 & V2)	Option GCF	Grounded Cooling Flange (copper). $P_{d(max)}$ can be increased by the factor 3 to 15.				
	HTS 241-01-C	Fast HV Transistor Switch, 24 kV, 15 A	Option UFTR	Ultra Fast Thermotriiger. Response time for shut down < 5 s.	Option ILC	Indirect Liquid Cooling (for water). $P_{d(max)}$ can be increased by the factor 3 to 15.				
HTS 361-01-C	Fast HV Transistor Switch, 36 kV, 12 A	Option UFTS	Ultra Fast Thermosensor. Response time < 5 s. NTC 10k / $\pm 1\%$	Option DLC	Direct Liquid Cooling (for FPE/PFC). $P_{d(max)}$ can be increased by the factor 10 to 100.					

FOR FURTHER PRODUCT OPTIONS PLEASE REFER TO THE OPTIONS PAGE.



LED Indicators:

- LED 1: Green, Ready/ Power
- LED 2: Yellow, Triggered
- LED 3: Red, Fault Condition

5- Pole Standard Plug:

- 1- Yellow, TTL Trigger Input (3-10V)
- 2- Black, Ground/ GND/ Return
- 3- Red, +5.00 VDC ($\pm 2\%$, 500mA)
- 4- Orange, Fault Signal Out, L=Fault
- 5- Green, TTL Inhibit Input

Drawing (projection) according to DIN standards.

All dimensions in mm and (inches).

All data and dimensions subject to change without notice.

Modification	Date	Name	Drawn	GAL
			Verified	SJ
			Date	08.07.2016
BEHLKE BEHLKE POWER ELECTRONICS GMBH Am Auenberg 4, 61476 Kronberg - Germany HIGH-TECH IN HIGH VOLTAGE Phone +49 (0) 6173-9290-20, www.behlke.com				
				HTS 361-01-C
				Options:
				Drawing:
				Sheet: 1 / 1

